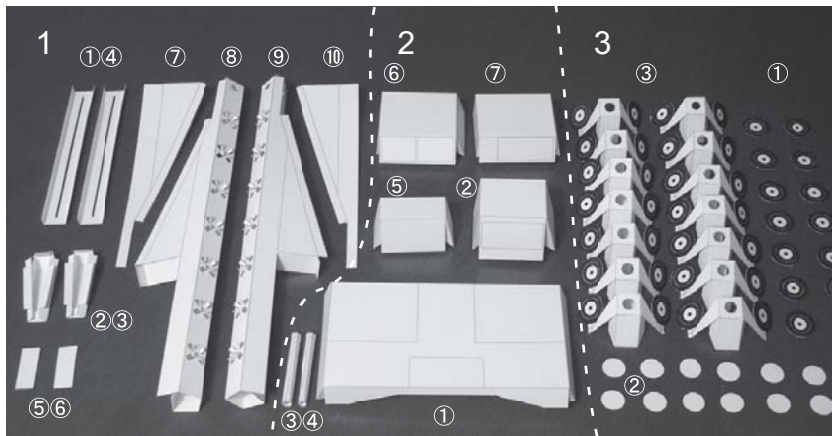


Let's build a paper model of ALMA transporter

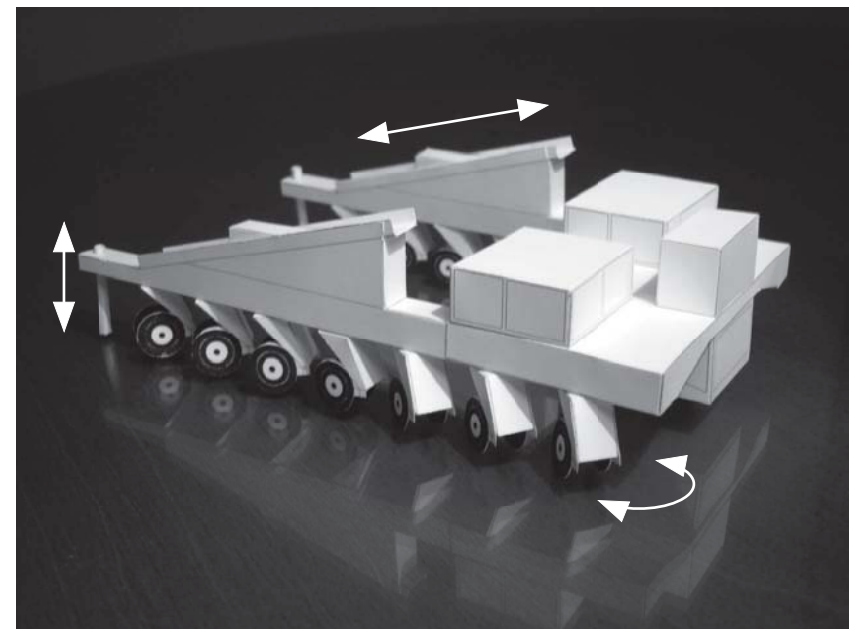
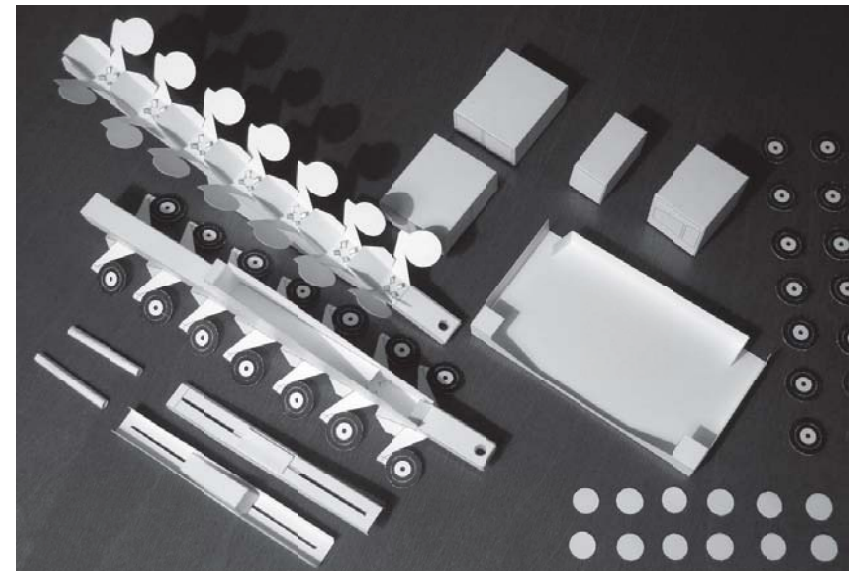
Materials needed: scissors, paper cutter, white glue

1. Copy the design on a thick paper like Kent paper. The frame of the design should be 18cm x 26.5cm. Cut out all the parts (73 in total), and make slits and holes with a paper cutter along with the heavy lines. Make a mountain fold at the two-dot chain line and valley fold at the dashed line.

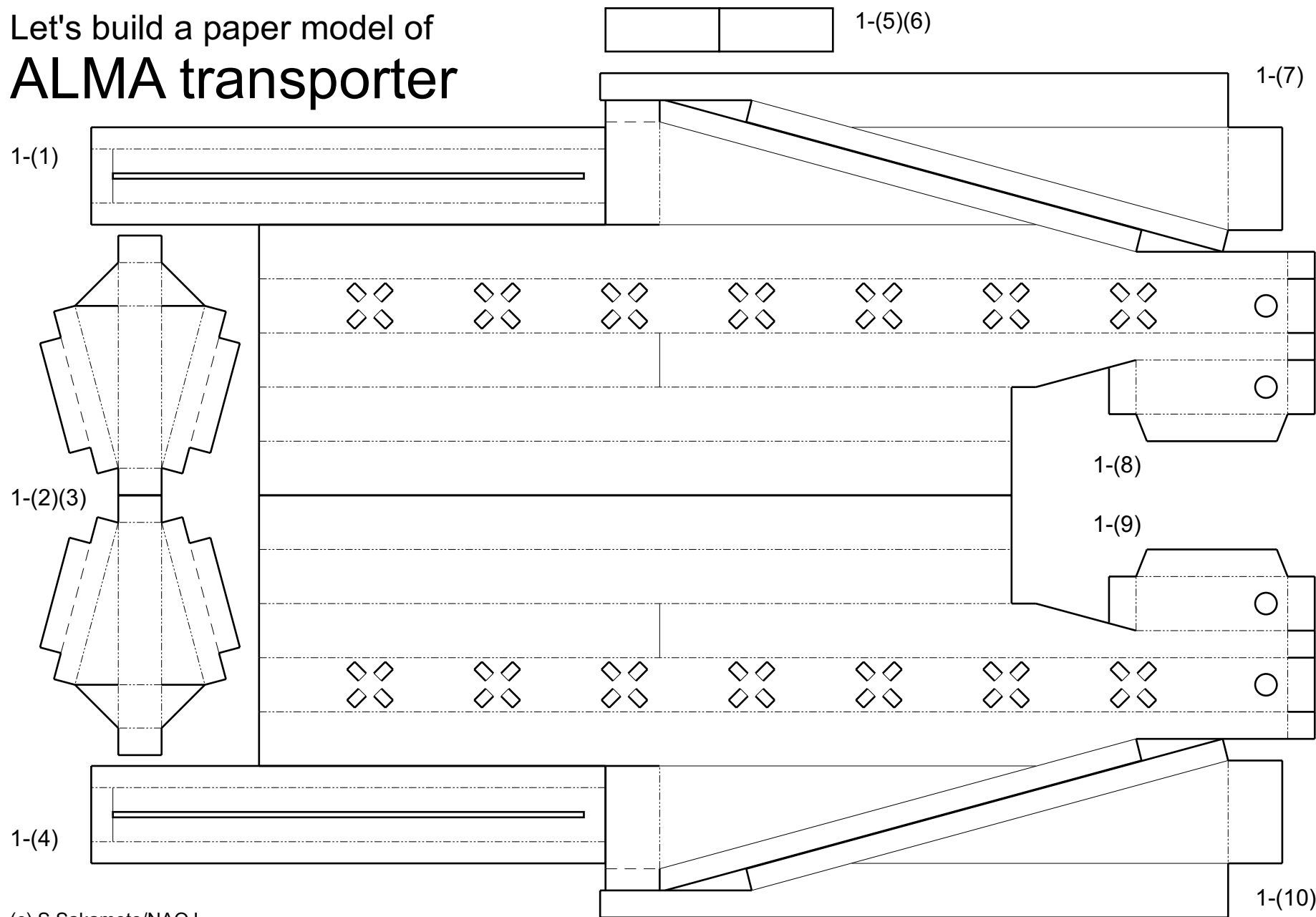


▲ The parts that are cut out and creased. Note that not all of the parts 3-(1) and 3-(2) are shown.

2. Assembly -- Assemble the parts as shown with photos. Keep the wheels, outriggers, and antenna loading parts movable.

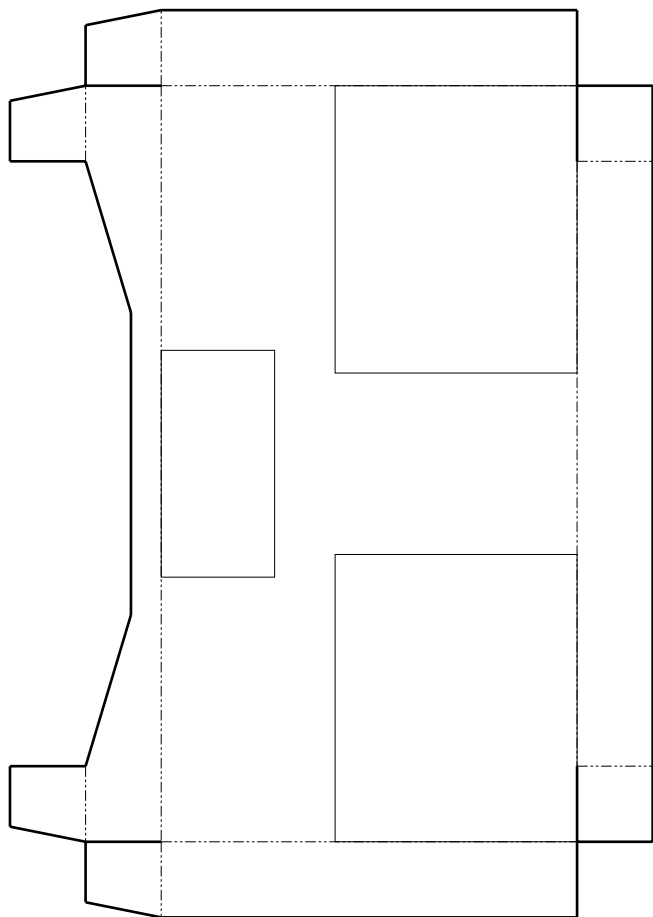


Let's build a paper model of ALMA transporter

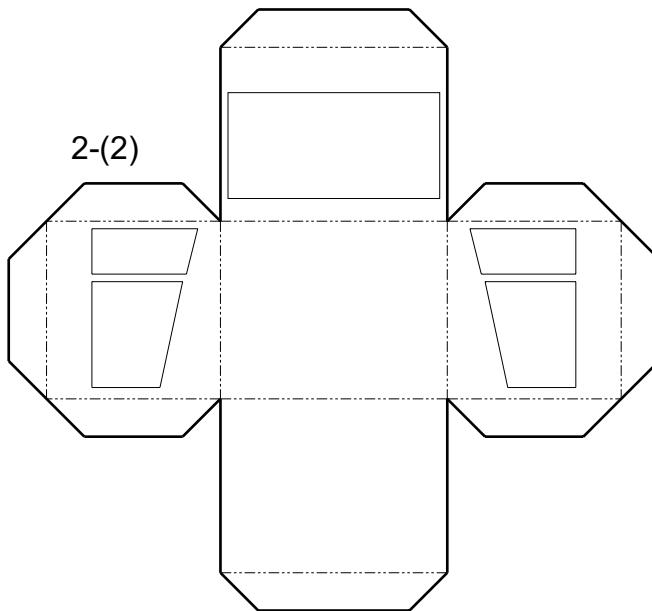


Let's build a paper model of ALMA transporter

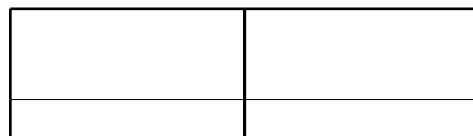
2-(1)



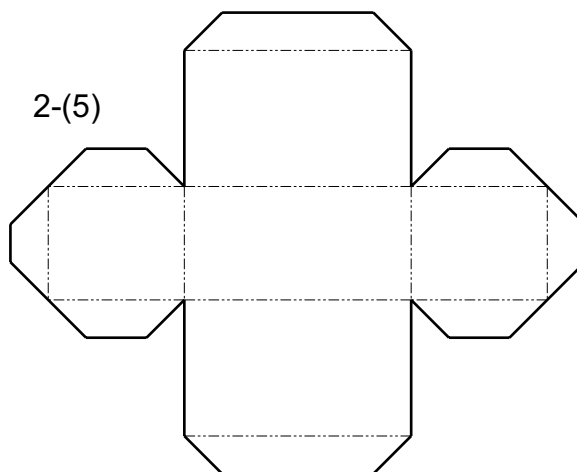
2-(2)



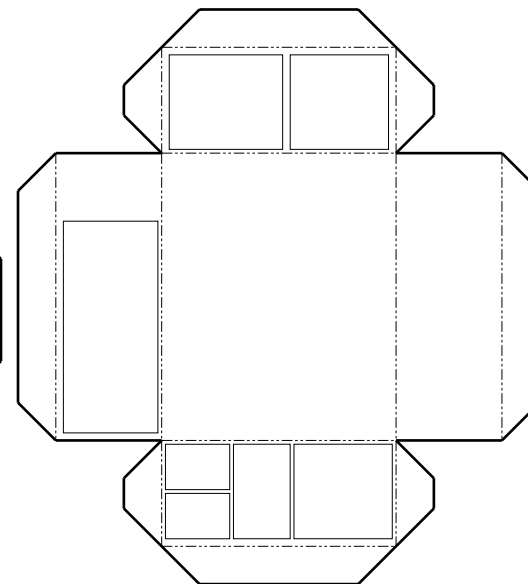
2-(3)(4)



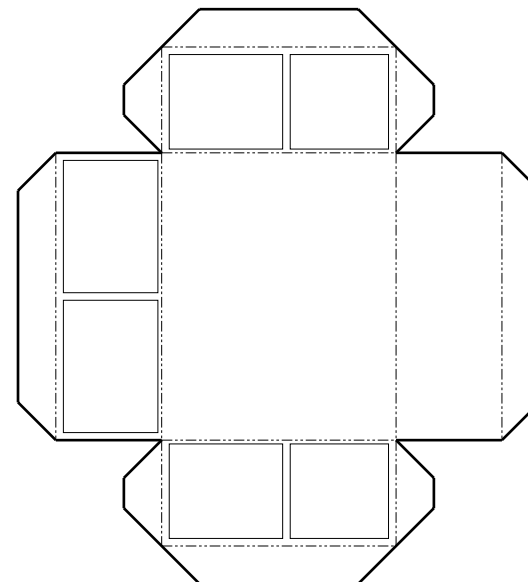
2-(5)



2-(6)

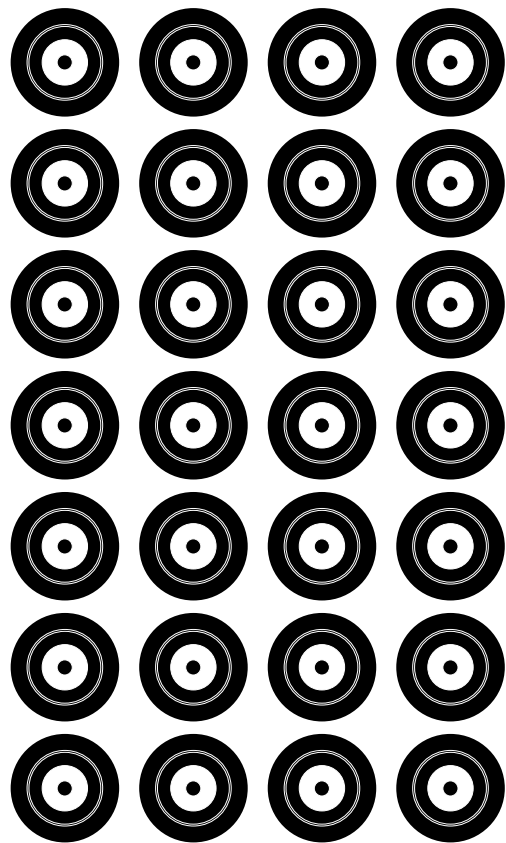


2-(7)

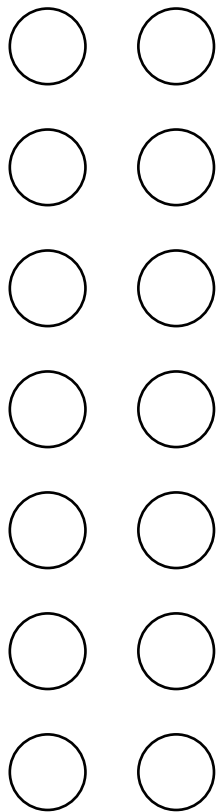


Let's build a paper model of ALMA transporter

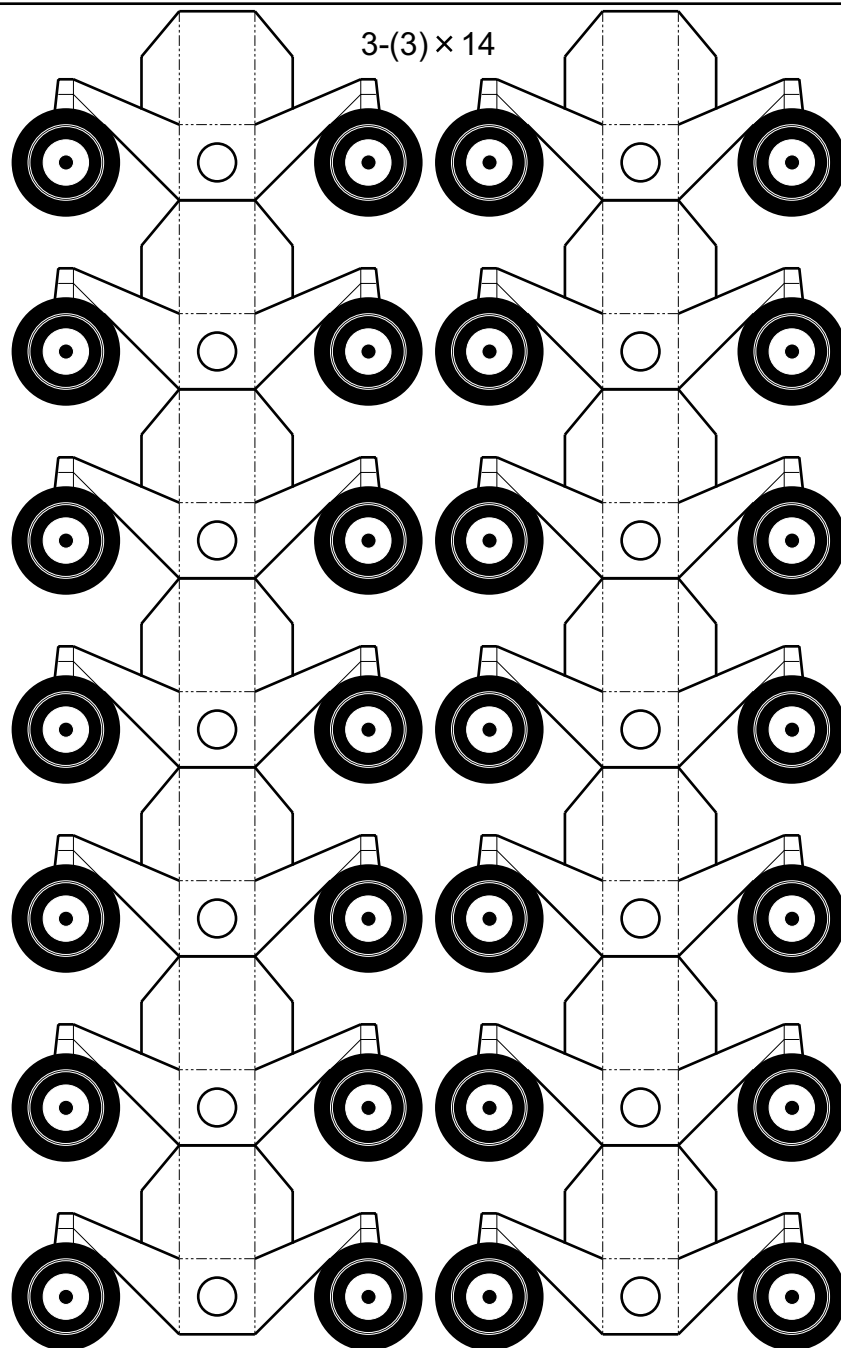
3-(1) × 28



3-(2) × 14



3-(3) × 14



Download more than 10
other telescope models from:
www.nro.nao.ac.jp/alma/